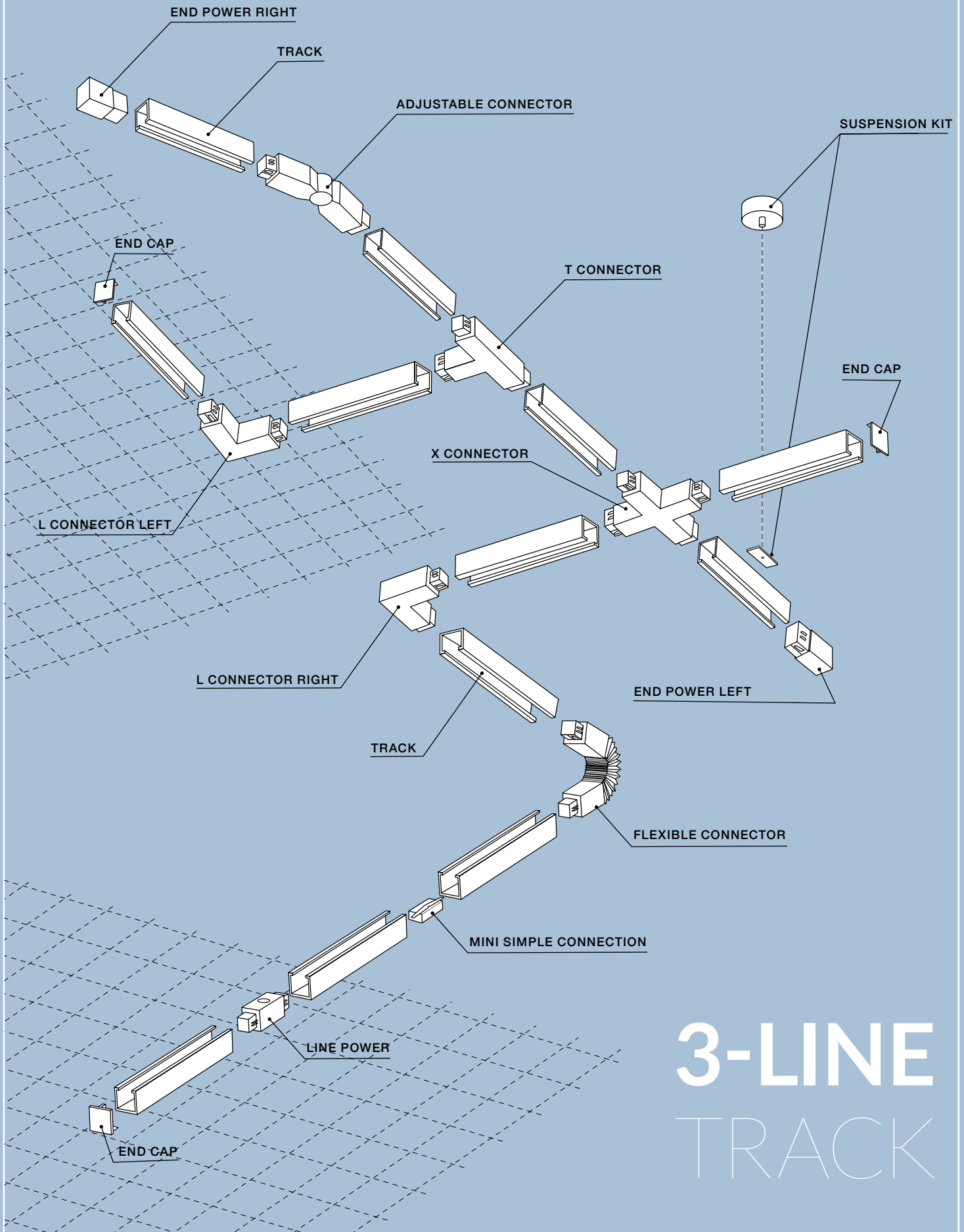
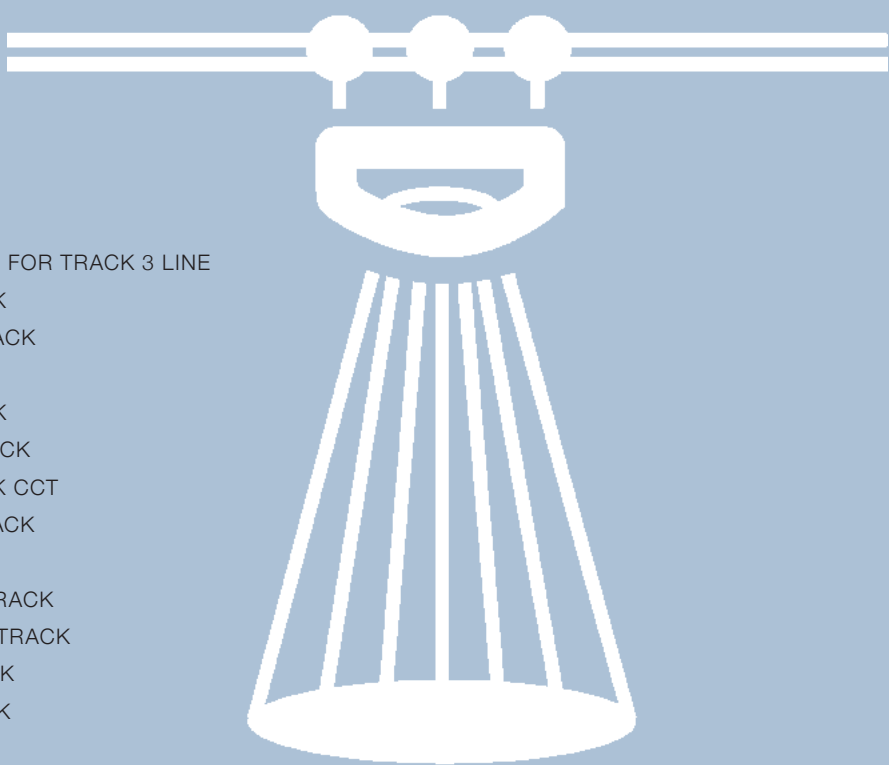


SYSTEM COMPONENTS NAMES FOR TRACK 3-LINE SYSTEM



# 3 - LINE

## track 3-Line

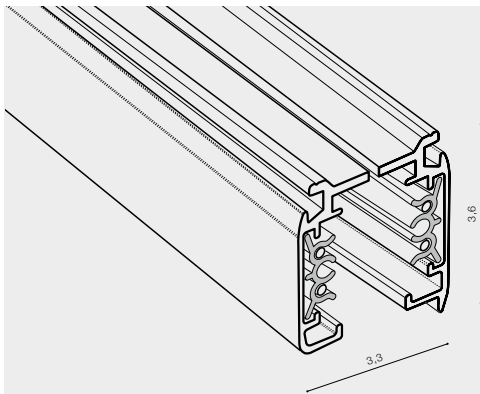


- 12 ACCESORIES FOR TRACK 3 LINE
- 20 EIGER TRACK
- 21 MEGARA TRACK
- 22 LOLO TRACK
- 23 GULIA TRACK
- 24 SANTOS TRACK
- 26 KIRKE TRACK CCT
- 27 GALILEO TRACK
- 28 LUMI TRACK
- 28 LUMI FLEX TRACK
- 30 COSTA ARM TRACK
- 31 COSTA TRACK
- 32 JERRY TRACK
- 33 JANE TRACK
- 34 MIKKA TRACK
- 35 MONA TRACK
- 36 LINNEA TRACK CCT
- 38 EREBUS TRACK
- 38 EREBUS TUBE
- 39 TIVOLI TRACK
- 40 BROSS ARM TRACK
- 41 EXO TRACK
- 42 LENS TRACK
- 43 SANTOS SQUARE TRACK
- 44 SKYE TRACK
- 45 LEON TRACK

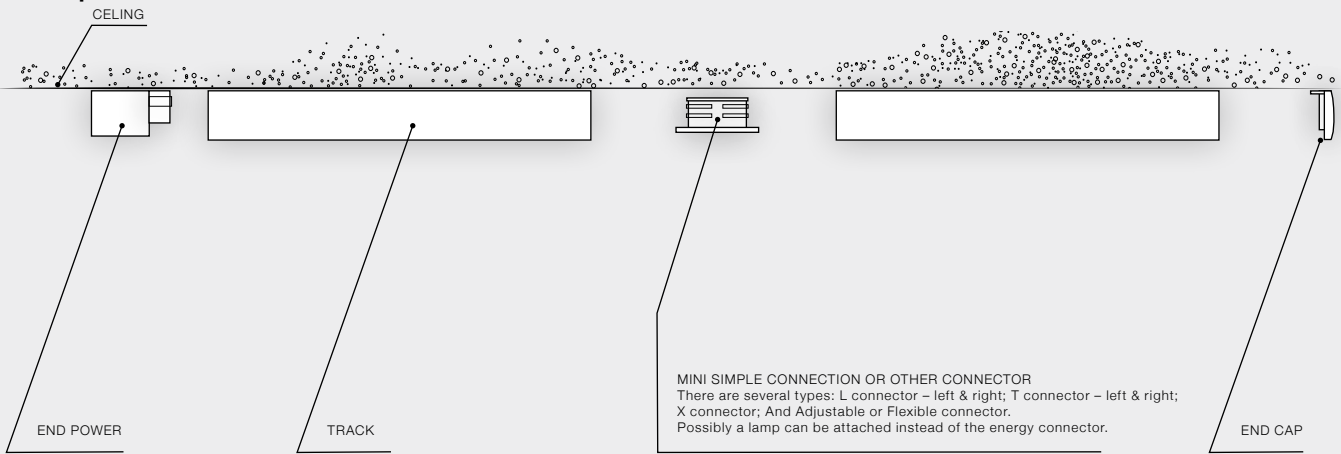
# TRACK 3-LINE

Accessories for Track 3 Line

# 3-Li



Example of the connection between track



## TRACKS (1m, 1,5m, 2m, 3m)

- TRACK 1m (BLACK) . . . . .AZ2973
- TRACK 1m (WHITE) . . . . .AZ2974
- TRACK 1,5m (BLACK) . . . . .AZ3000
- TRACK 1,5m (WHITE) . . . . .AZ2999
- TRACK 2m (BLACK) . . . . .AZ2975
- TRACK 2m (WHITE) . . . . .AZ2976
- TRACK 3m (BLACK) . . . . .AZ4272
- TRACK 3m (WHITE) . . . . .AZ4271



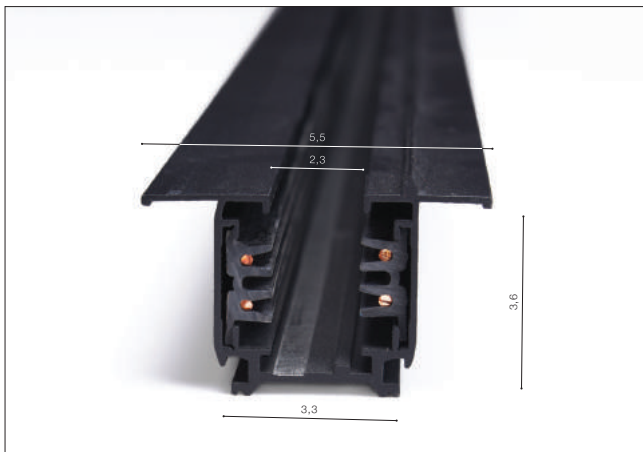
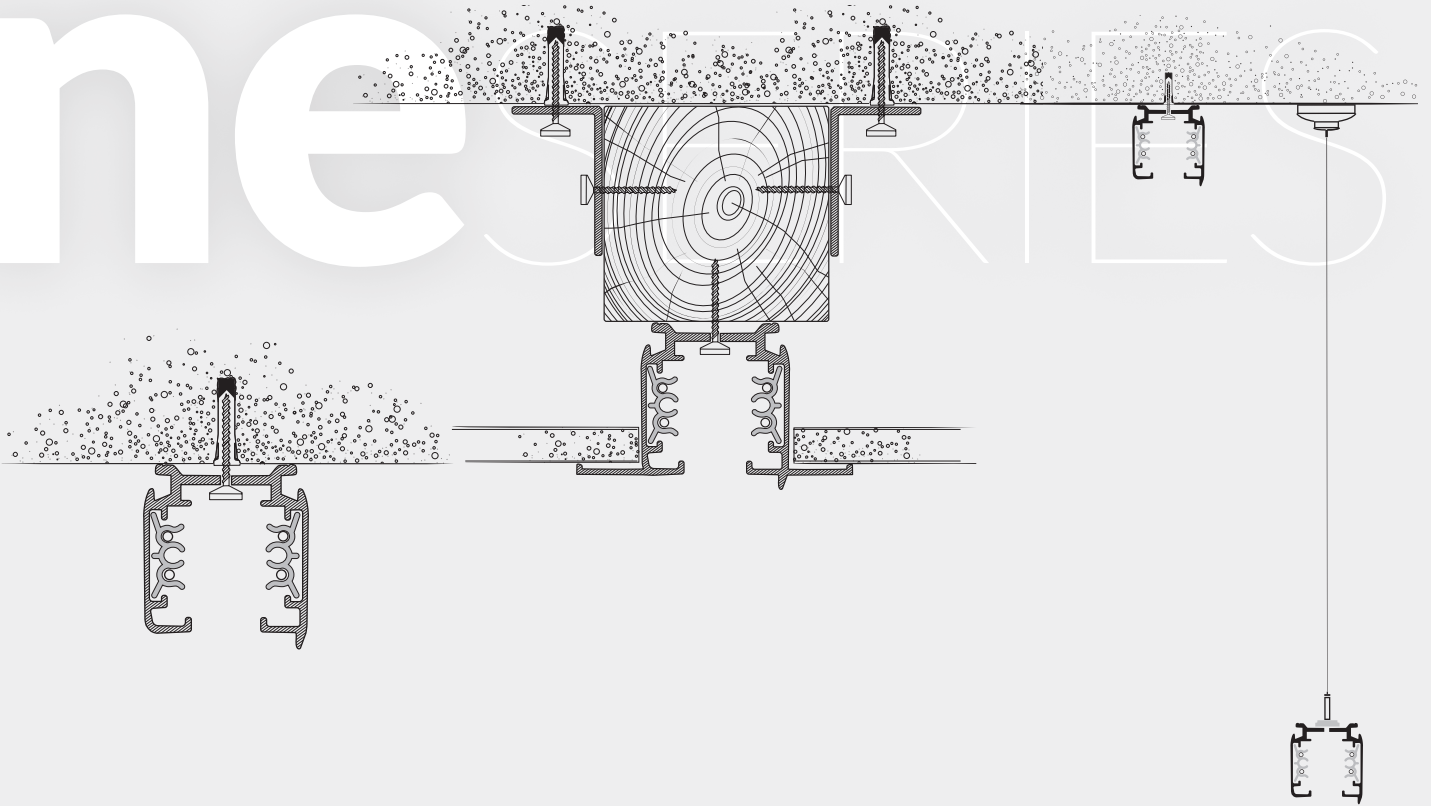
## Track Set (1m, 1,5m, 2m) with THE END POWER + END CAP

- TRACK SET 1m (BLACK) . . . . .AZ2987
- TRACK SET 1m (WHITE) . . . . .AZ2991
- TRACK SET 1,5m (BLACK) . . . . .AZ3001
- TRACK SET 1,5m (WHITE) . . . . .AZ3002
- TRACK SET 2m (BLACK) . . . . .AZ2992
- TRACK SET 2m (WHITE) . . . . .AZ2988



\* - EXPLANATION SHORTCUT PAGE 2 (E)

Available options for installation place – surface-mounted, flush-mounted and suspended



## TRACKS GIPS (1m, 2m, 3m)

- TRACK GIPS 1m (BLACK) . . . . . **AZ4290**
- TRACK GIPS 1m (WHITE) . . . . . **AZ4289**
- TRACK GIPS 2m (BLACK) . . . . . **AZ4292**
- TRACK GIPS 2m (WHITE) . . . . . **AZ4291**
- TRACK GIPS 3m (BLACK) . . . . . **AZ4294**
- TRACK GIPS 3m (WHITE) . . . . . **AZ4293**



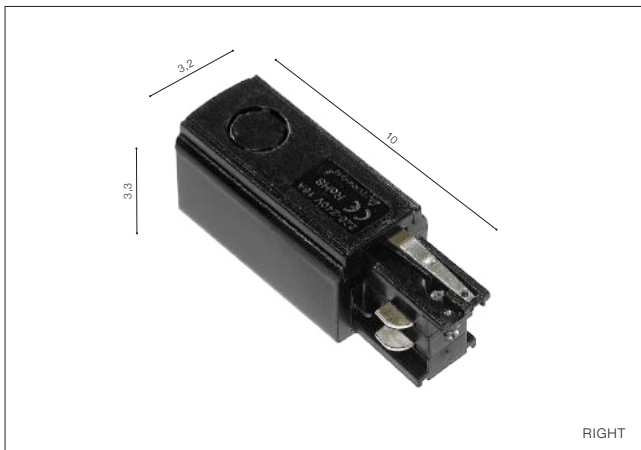
## MINI SIMPLE CONNECTION

- MINI SIMPLE CONNECTION (BLACK) . . . . . **AZ2981**
- MINI SIMPLE CONNECTION (WHITE) . . . . . **AZ2982**



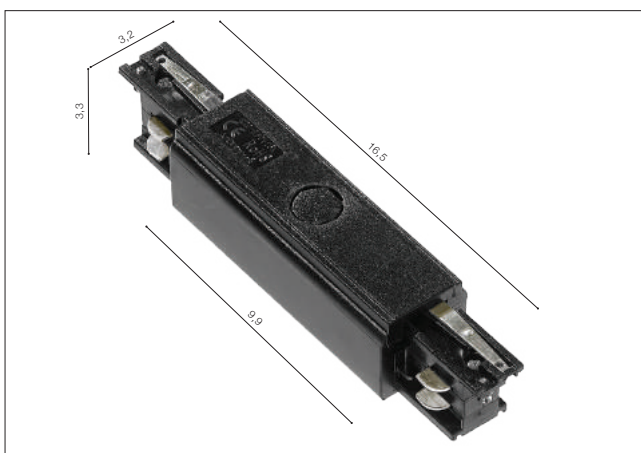
# TRACK 3-LINE

## Accessories for Track 3 Line



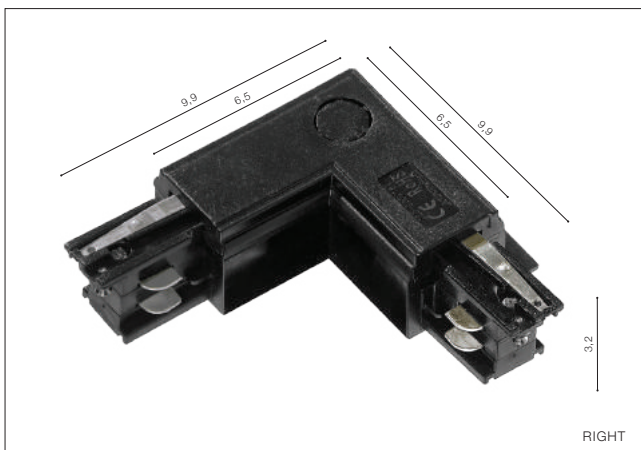
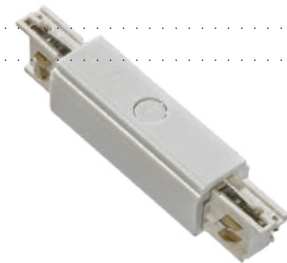
### End Power (Left, Right)

- END POWER RIGHT (BLACK) ..... **AZ4116**
- END POWER RIGHT (WHITE) ..... **AZ4117**
- END POWER LEFT (BLACK) ..... **AZ4284**
- END POWER LEFT (WHITE) ..... **AZ4283**



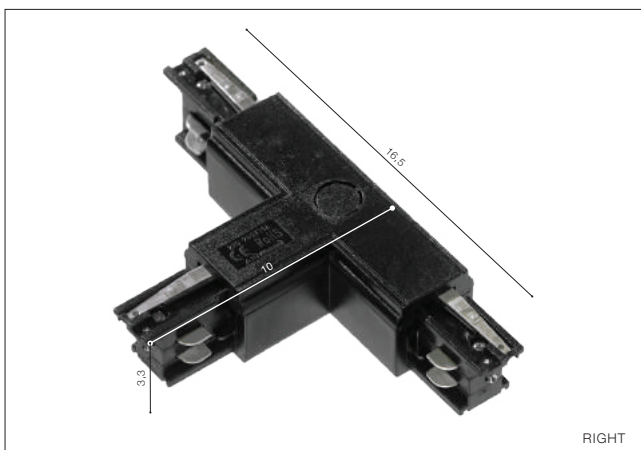
### Power

- POWER (BLACK) ..... **AZ4274**
- POWER (WHITE) ..... **AZ4273**



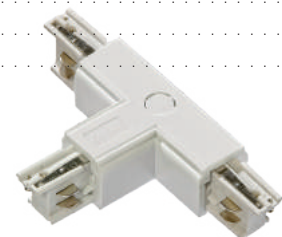
### L Connector (Left, Right)

- L CONNECTOR RIGHT (BLACK) ..... **AZ2983**
- L CONNECTOR RIGHT (WHITE) ..... **AZ2984**
- L CONNECTOR LEFT (BLACK) ..... **AZ2985**
- L CONNECTOR LEFT (WHITE) ..... **AZ2986**

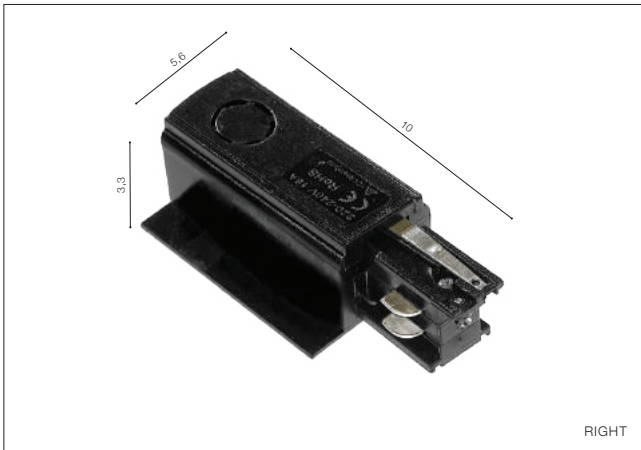


### T Connector (Left, Right)

- T CONNECTOR LEFT (BLACK) ..... **AZ4276**
- T CONNECTOR LEFT (WHITE) ..... **AZ4275**
- T CONNECTOR RIGHT (BLACK) ..... **AZ4278**
- T CONNECTOR RIGHT (WHITE) ..... **AZ4277**

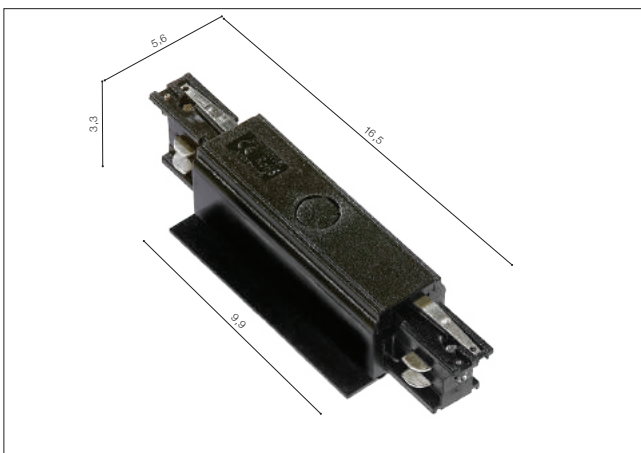


\* - EXPLANATION SHORTCUT PAGE 2 (E)



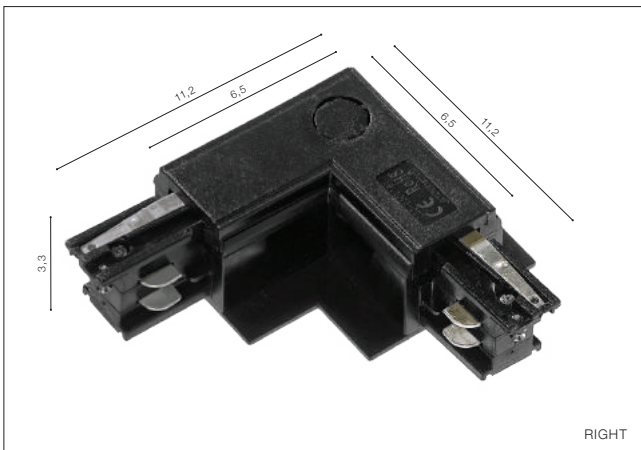
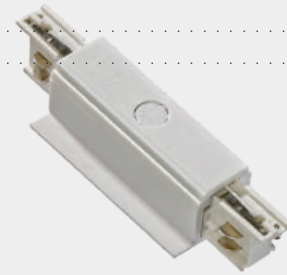
## End Power Gips (Left, Right)

- END POWER GIPS RIGHT (BLACK) ..... **AZ4304**
- END POWER GIPS RIGHT (WHITE) ..... **AZ4303**
- END POWER GIPS LEFT (BLACK) ..... **AZ4310**
- END POWER GIPS LEFT (WHITE) ..... **AZ4309**



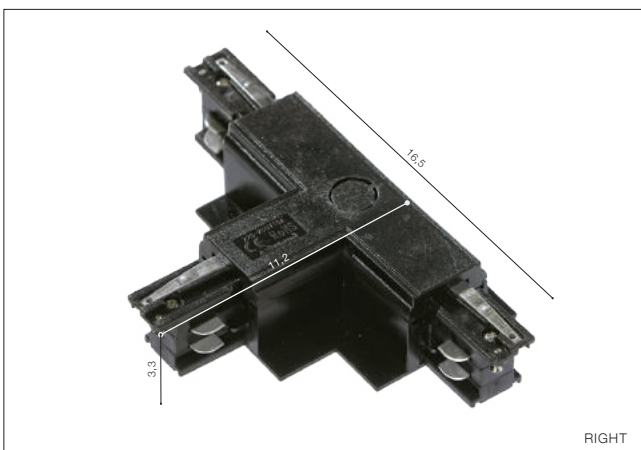
## Power Gips

- POWER GIPS (BLACK) ..... **AZ4296**
- POWER GIPS (WHITE) ..... **AZ4295**



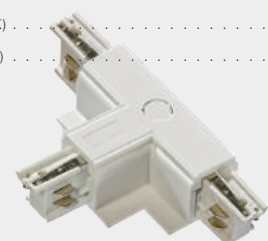
## L Connector Gips (only Right)

- L CONNECTOR GIPS RIGHT (BLACK) ..... **AZ4298**
- L CONNECTOR GIPS RIGHT (WHITE) ..... **AZ4297**



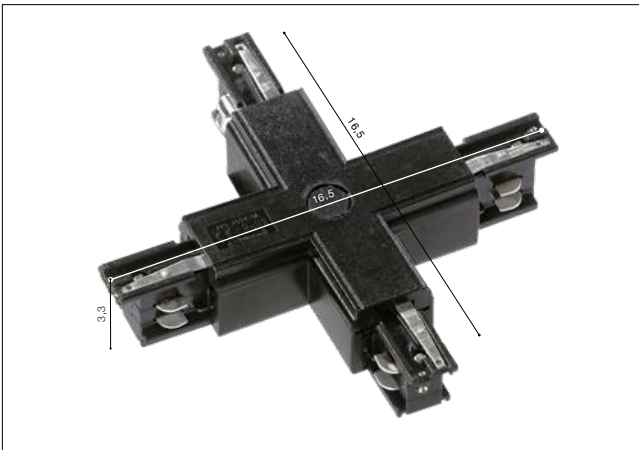
## T Connector Gips (only Right)

- T CONNECTOR GIPS RIGHT (BLACK) ..... **AZ4300**
- T CONNECTOR GIPS RIGHT (WHITE) ..... **AZ4299**



# TRACK 3-LINE

## Accessories for Track 3 Line



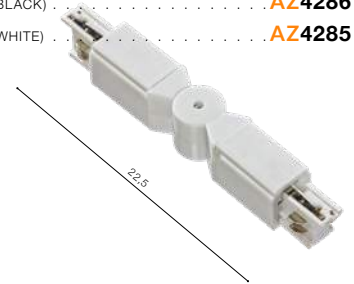
### X Connector

- X CONNECTOR (BLACK) ..... **AZ4280**
- X CONNECTOR (WHITE) ..... **AZ4279**



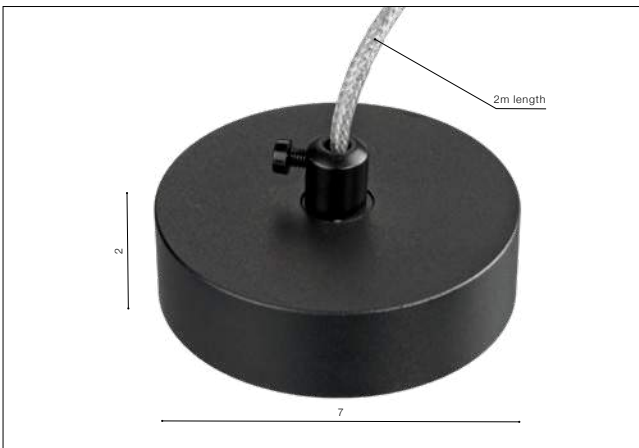
### Power Adjustable Connector

- POWER ADJUSTABLE CONNECTOR (BLACK) ..... **AZ4286**
- POWER ADJUSTABLE CONNECTOR (WHITE) ..... **AZ4285**



### Track 3-Line Pendant Accessory 1.5m

- TRACK 3LINE PENDANT ACCESSORY 1.5M (BLACK) ..... **AZ4797**
- TRACK 3LINE PENDANT ACCESSORY 1.5M (WHITE) ..... **AZ4796**

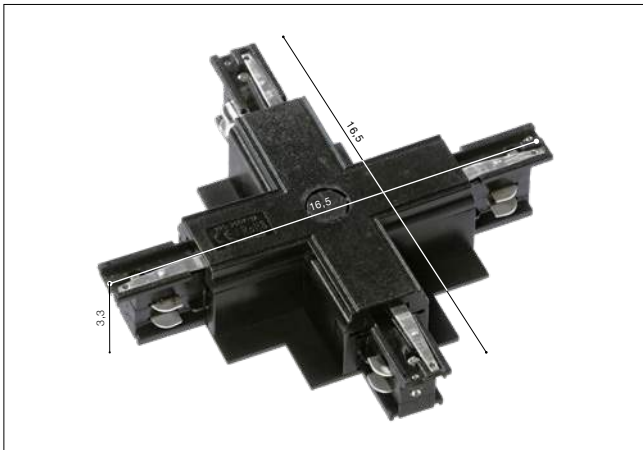


### Ceiling Plate + Wire

- CEILING PLATE + WIRE (BLACK) ..... **AZ4780**
- CEILING PLATE + WIRE (WHITE) ..... **AZ4782**

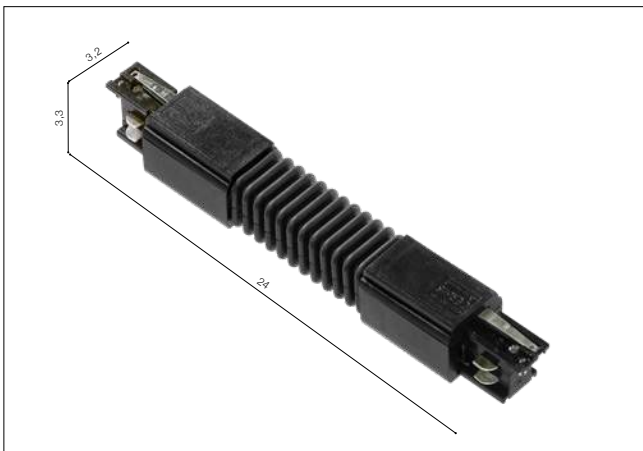
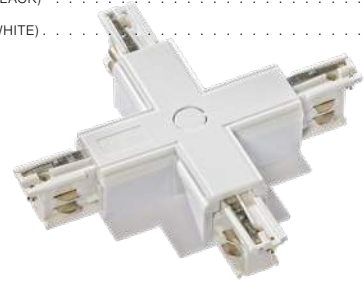


\* - EXPLANATION SHORTCUT PAGE 2 (E)



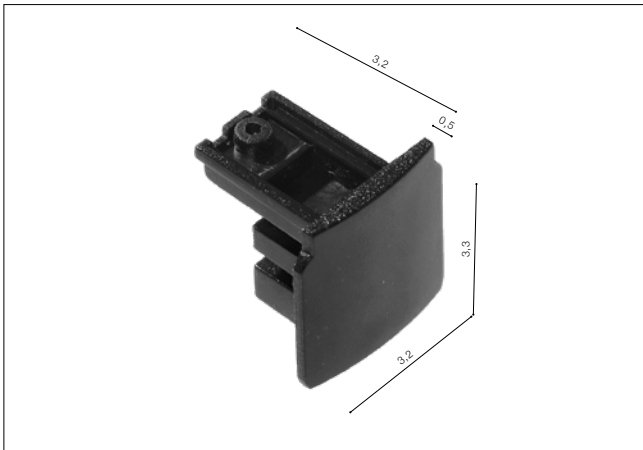
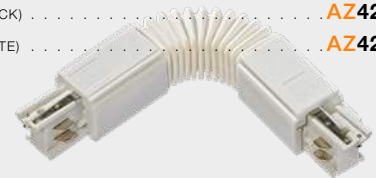
### X Connector Gips

- X CONNECTOR GIPS (BLACK) ..... **AZ4302**
- X CONNECTOR GIPS (WHITE) ..... **AZ4301**



### Flexible Connector

- FLEXIBLE CONNECTOR (BLACK) ..... **AZ4282**
- FLEXIBLE CONNECTOR (WHITE) ..... **AZ4281**



### End Cap

- END CAP (BLACK) ..... **AZ4288**
- END CAP (WHITE) ..... **AZ4287**



### TRACK 3 LINE ELECTRIC ADAPTER

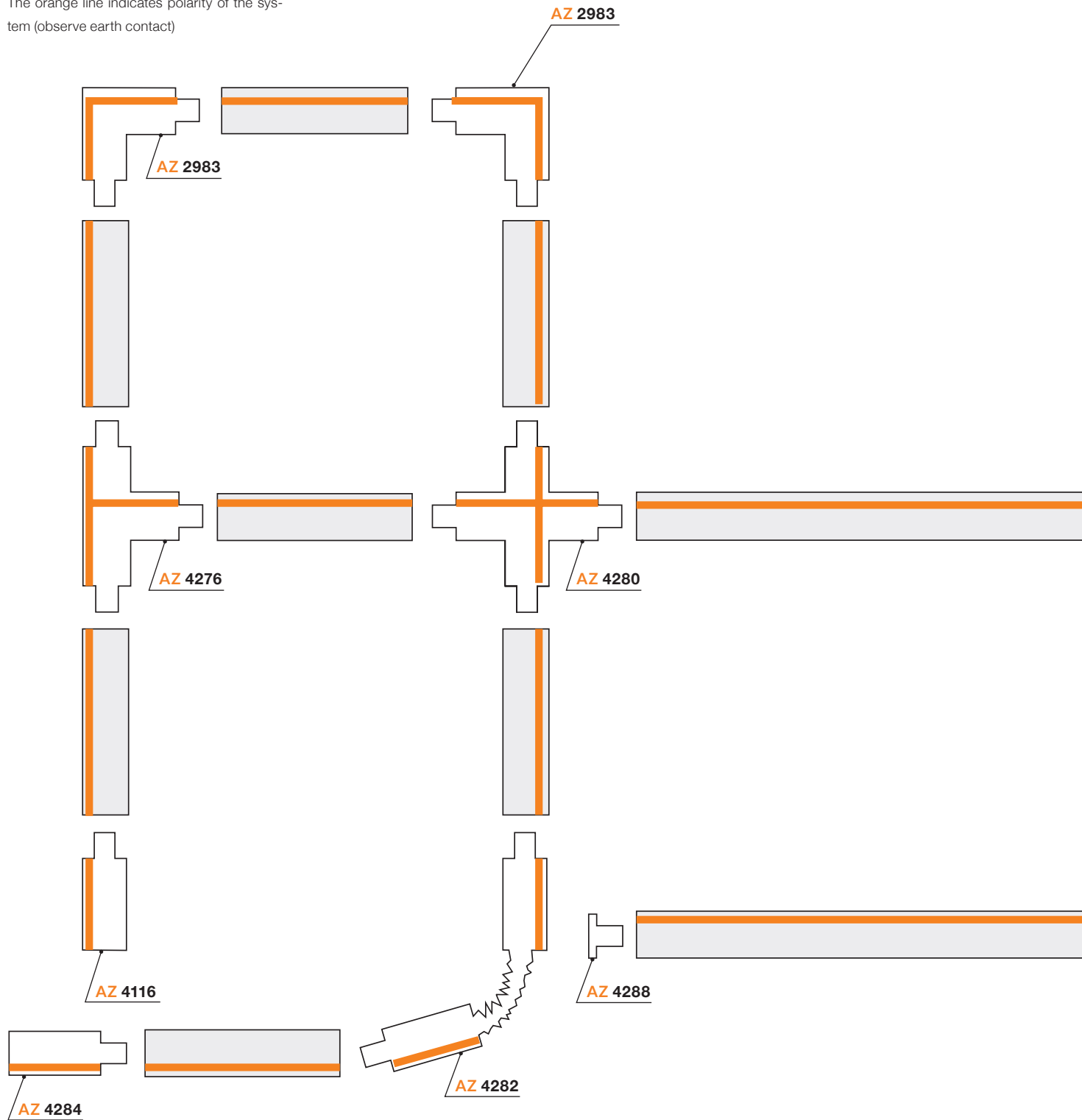
- ELECTRIC (BLACK) ..... **AZ3003**
- ELECTRIC (WHITE) ..... **AZ3012**

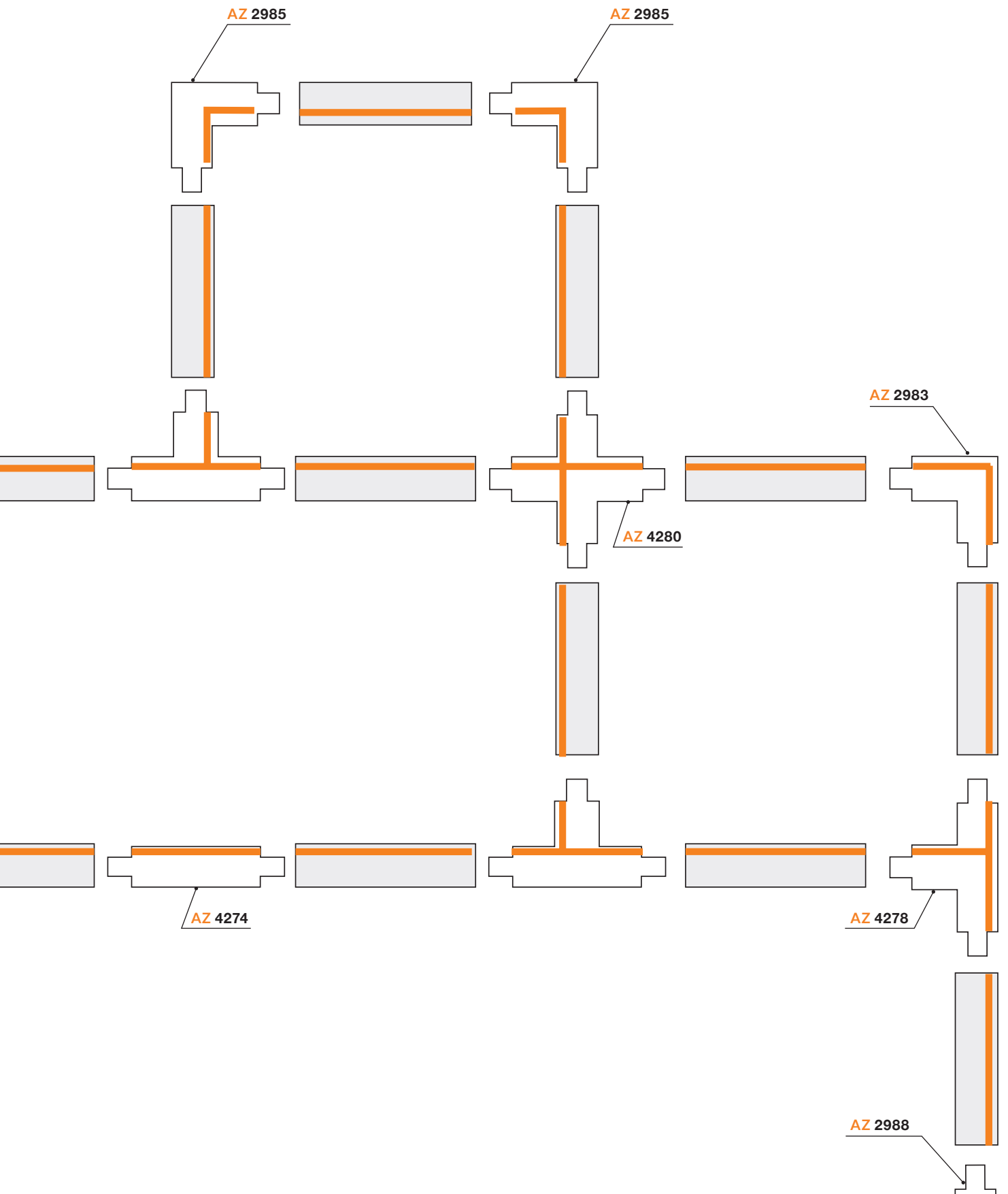




### Diagram showing the correct way to connect accessories to busbars (trackline)

The orange line indicates polarity of the system (observe earth contact)





# EIGER TRACK

## Track 3 Line



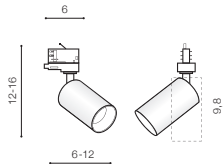
### EIGER TRACK 3 LINE GU10

bulb not included

voltage: 230V	GU10 1x Max. 50W	<input type="checkbox"/>
IP20	installation: Track 3 Line	<input checked="" type="checkbox"/>

#### COLOUR / NEW INDEX NO.

- BLACK (BK) . . . . . **AZ4205**
- BLACK / GOLD (BK/GO) . . . . . **AZ4206**
- WHITE (WH) . . . . . **AZ4204**





WH \*



WH

BK

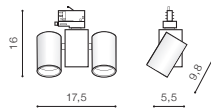
## MEGARA TRACK 3 LINE GU10

bulb not included

voltage: 230V	GU10 2x Max. 50W	<input type="checkbox"/>
IP20	installation: Track 3 Line	<input checked="" type="checkbox"/>

COLOUR / NEW INDEX NO.

- BLACK (BK) . . . . . **AZ4443**
- WHITE (WH) . . . . . **AZ4442**



# LOLO TRACK

Track 3 Line



BK \*

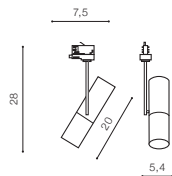
## LOLO TRACK 3 LINE GU10

bulb not included

voltage: 230V	GU10 1x Max. 50W	
IP20	installation: Track 3 Line	

COLOUR / NEW INDEX NO.

- BLACK (BK) . . . . . **AZ4577**
- WHITE (WH) . . . . . **AZ4578**



WH

BK



\* - EXPLANATION SHORTCUT PAGE 2 (E)



GO \*

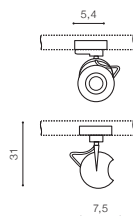
## GULIA TRACK TRACK 3-LINE GU10

bulb not included

voltage: 230V	LED GU10 1x Max. 50W	<input checked="" type="checkbox"/>
IP20	installation place: Track 3 Line	<input type="checkbox"/>

### COLOUR / NEW INDEX NO.

- BLACK (BK) . . . . . **AZ4710**
- WHITE (WH) . . . . . **AZ4709**
- GOLD (GO) . . . . . **AZ4711**



# SANTOS TRACK

Track 3 Line



BK \*

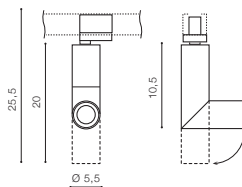
## SANTOS TRACK 3 LINE GU10

bulb not included

voltage: 230V	GU10 1x Max. 50W
IP20	
technical specification	installation: Track 3 Line

COLOUR / NEW INDEX NO.

- BLACK (BK) . . . . . **AZ4203**
- WHITE (WH) . . . . . **AZ4202**



\* - EXPLANATION SHORTCUT PAGE 2 (E)



BK / BK \*

**SANTOS TRACK 3 LINE 12W 3000K**

LED integrated

voltage: 230V

IP20

technical specification



LED 12W 950lm 3000K



installation place: Track 3 Line

beam angle: 60°



BK / BK

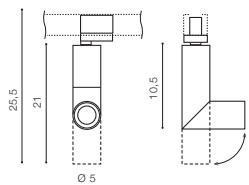
WH / WH

BK / GO

WH / GO

COLOUR / NEW INDEX NO.

- BLACK / BLACK (BK / BK) . . . . . **AZ4183**
- WHITE / WHITE (WH / WH) . . . . . **AZ4184**
- BLACK / GOLD (BK / GO) . . . . . **AZ2924**
- WHITE / GOLD (WH / GO) . . . . . **AZ2925**





# KIRKE TRACK CCT SWITCH

Track 3 Line



BK



WH

BK

## KIRKE TRACK 3 LINE 10W CCT SWITCH

LED integrated

voltage: 230V

LED 10W 800lm

IP20

3000K | 4000K | 5500K CCT

LED

technical

installation: Track 3 Line

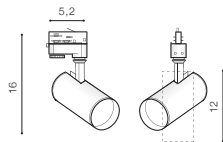
specification

beam angle: 40°



COLOUR / NEW INDEX NO.

- BLACK (BK) . . . . . **AZ4658**
- WHITE (WH) . . . . . **AZ4659**



TILT 90°

ROTATION 350°



\* - EXPLANATION SHORTCUT PAGE 2 (E)



WH \*

## GALILEO TRACK 3 LINE 15W 3000K

LED integrated

voltage: 230V

LED 15W 1200lm 3000K

**LED**

IP20



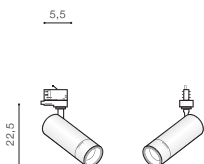
technical specification

installation place: Track 3 Line

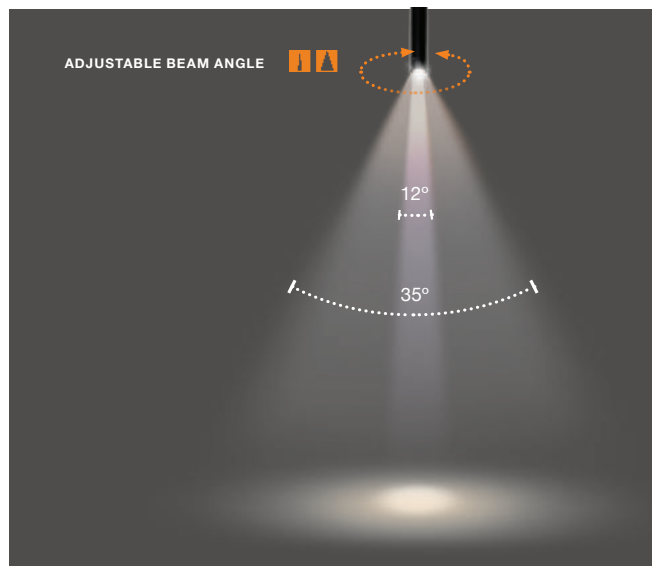
beam angle: 12°÷ 35°

COLOUR / NEW INDEX NO.

- WHITE (WH) . . . . . **AZ4066**
- BLACK (BK) . . . . . **AZ4067**



12° 35°



# LUMI TRACK

## Track 3 Line



LUMI TRACK 3 LINE 3000K

LED integrated

voltage: 230V

IP20

technical

specification



LED 5W 500lm 3000K



installation: Track 3 Line

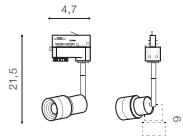


adjustable beam angle: 19°÷ 70°



COLOUR / NEW INDEX NO.

- WHITE FINISH SHINING (WH) . . . . . **AZ4558**
- BLACK FINISH SHINING (BK) . . . . . **AZ4557**



LUMI FLEX TRACK 3 LINE 3000K

LED integrated

voltage: 230V

IP20

technical

specification



LED 5W 500lm 3000K



installation: Track 3 Line

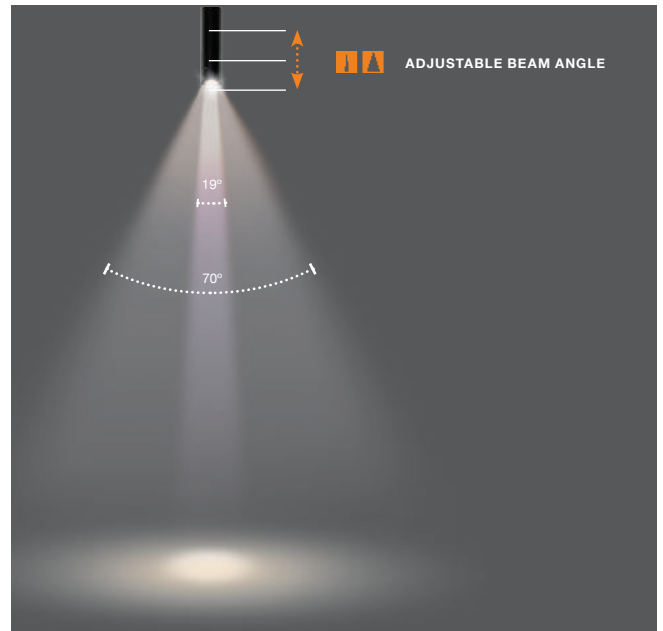
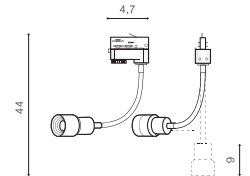


adjustable beam angle: 19°÷ 70°

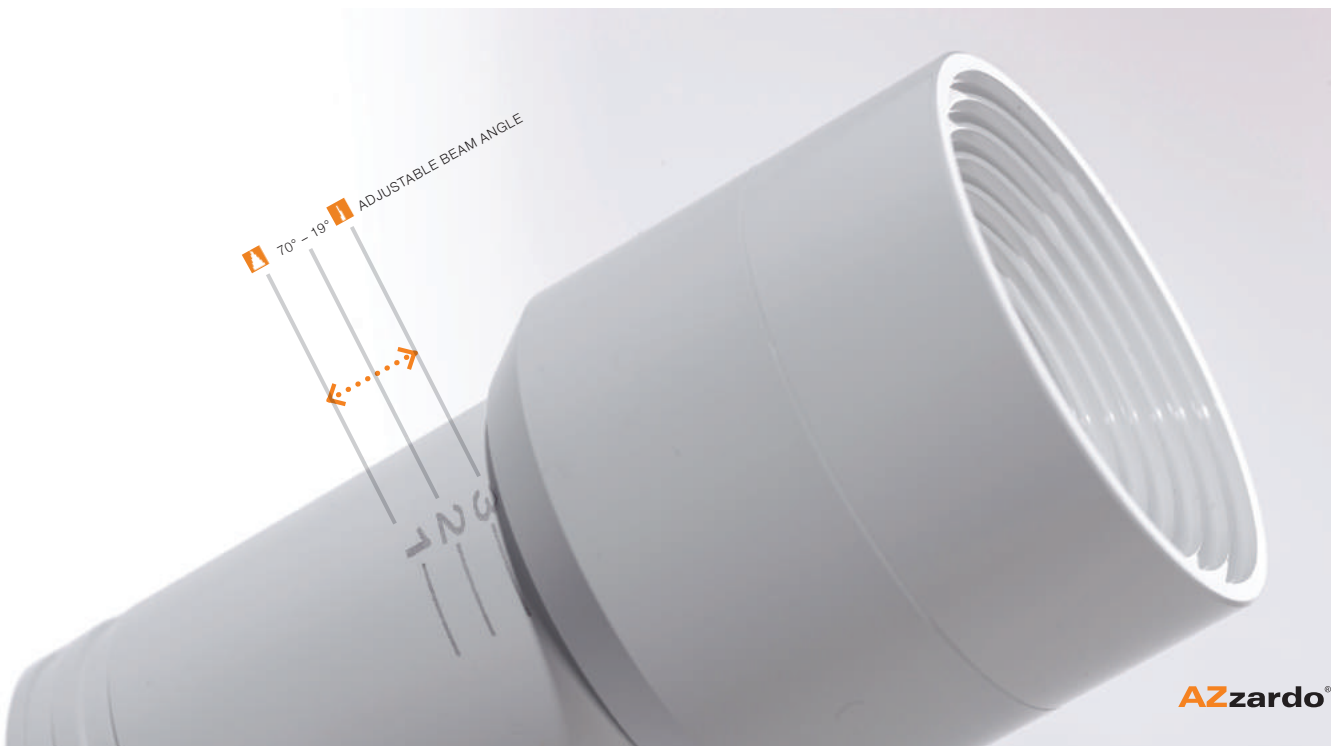


COLOUR / NEW INDEX NO.

- WHITE FINISH SHINING (WH) . . . . . **AZ4560**
- BLACK FINISH SHINING (BK) . . . . . **AZ4559**



\* - EXPLANATION SHORTCUT PAGE 2 (E)



# COSTA ARM TRACK

Track 3 Line



## COSTA ARM TRACK 3 LINE 12W

LED integrated

voltage: 230V

IP20

technical

specification



LED 12W 1020lm 3000K

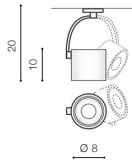
LED

installation place: Track Electric 3 Line

beam angle: 25°

COLOUR / NEW INDEX NO.

- WHITE / WHITE (WH / WH) . . . . . **AZ3487**
- BLACK / BLACK (BK / BK) . . . . . **AZ3486**





**COSTA TRACK 3 LINE 12W 3000K / 4000K**

LED integrated

voltage: 230V

IP20

technical specification



LED 12W 1100lm 3000K

LED 12W 1100lm 4000K

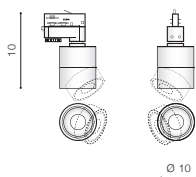
installation place: Track 3 Line

beam angle: 25°



COLOUR / NEW INDEX NO.

- 3000K WHITE (WH) . . . . . **AZ4550**
- 3000K BLACK (BK) . . . . . **AZ4549**
- 4000K WHITE (WH) . . . . . **AZ4552**
- 4000K BLACK (BK) . . . . . **AZ4551**



# JERRY TRACK

32

Track 3 Line



BK \*

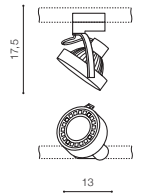
## JERRY TRACK 3 LINE ES111

bulb not included

voltage: 230V	connect 1x ES111 MAX 50W	<input type="checkbox"/>
IP20		
	installation place – track 3 x line	<input type="checkbox"/>

COLOUR / NEW INDEX NO.

- WHITE (WH) . . . . . **AZ2459**
- BLACK (BK) . . . . . **AZ2458**



WH

BK

\* - EXPLANATION SHORTCUT PAGE 2 (E)



BK \*



WH

BK

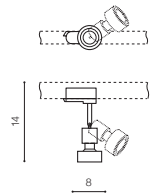
## JANE TRACK 3 LINE GU10

bulb not included

voltage: 230V	connect 1x GU10 MAX 50W	<input type="checkbox"/>
IP20	installation place – track 3 x line	<input type="checkbox"/>

COLOUR / NEW INDEX NO.

- WHITE (WH) . . . . . **AZ2460**
- BLACK (BK) . . . . . **AZ2457**





# MIKKA TRACK

Track 3 Line



BK \*

## MIKKA TRACK 3 LINE 3000K

LED integrated

voltage: 230V

LED 24W 1700lm 3000K

IP20



**LED**

technical

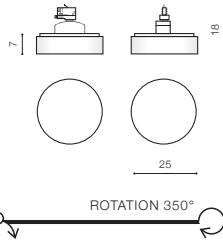
installation: Track 3 Line

specification

beam angle: 120°

COLOUR / NEW INDEX NO.

■ BLACK (BK) . . . . . **AZ4516**



\* - EXPLANATION SHORTCUT PAGE 2 (E)



BK \*

**MONA TRACK 3 LINE 12W 3000K / 4000K**

LED integrated

voltage: 230V

IP20

technical specification



LED 12W 1000lm 3000K

LED 12W 1050lm 4000K

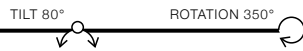
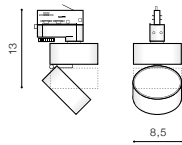
installation: Track 3 Line

beam angle: 120°



COLOUR / NEW INDEX NO.

- 3000K WHITE (WH) . . . . . **AZ4541**
- 3000K BLACK (BK) . . . . . **AZ4542**
- 4000K WHITE (WH) . . . . . **AZ4544**
- 4000K BLACK (BK) . . . . . **AZ4543**



WH \*

**MONA TRACK 3 LINE 18W 3000K**

LED integrated

voltage: 230V

IP20

technical specification



LED 18W 1500lm 3000K

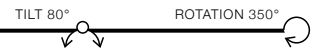
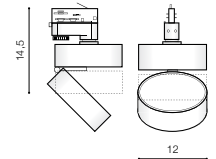
installation: Track 3 Line

beam angle: 120°



COLOUR / NEW INDEX NO.

- WHITE (WH) . . . . . **AZ4548**
- BLACK (BK) . . . . . **AZ4547**



WH

WH



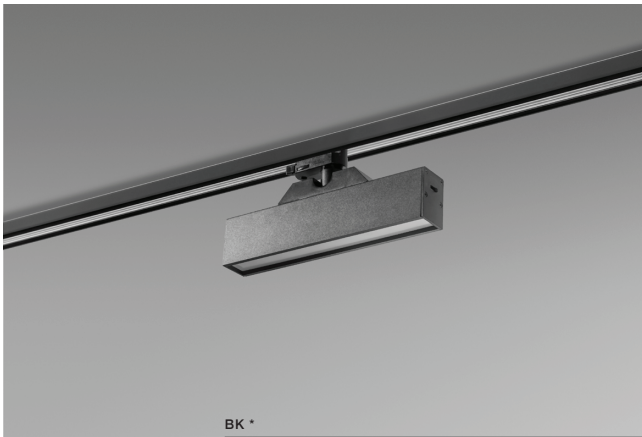
BK

BK



# LINNEA TRACK CCT SWITCH

Track 3 Line



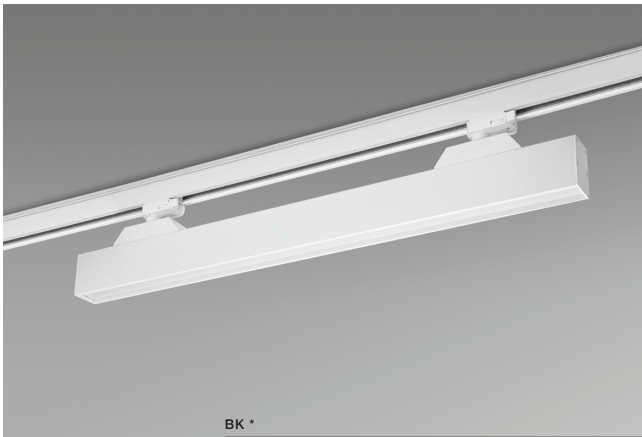
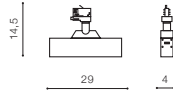
**LINNEA 29 TRACK 12W CCT SWITCH**

LED integrated

voltage: 230V	LED 12W 700lm		<b>LED</b>
IP20	3000K   4000K   5000K CCT		
technical specification	installation: Track 3 Line		
	beam angle: 120°		

COLOUR / NEW INDEX NO.

- WHITE (WH) . . . . . **AZ4564**
- BLACK (BK) . . . . . **AZ4563**



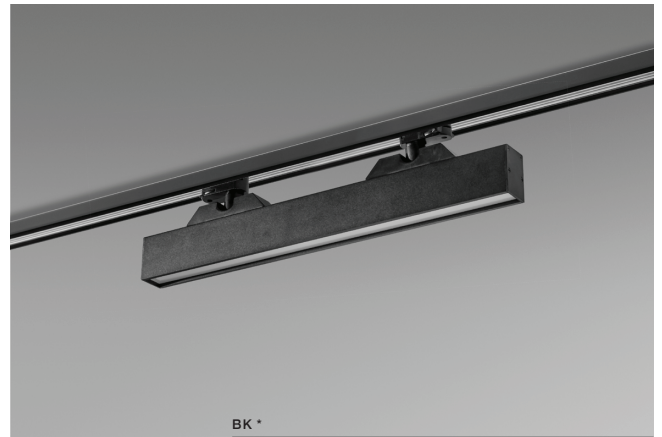
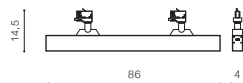
**LINNEA 86 TRACK 3 LINE 36W CCT SWITCH**

LED integrated

voltage: 230V	LED 36W 2000lm		<b>LED</b>
IP20	3000K   4000K   5000K CCT		
technical specification	installation: Track 3 Line		
	beam angle: 120°		

COLOUR / NEW INDEX NO.

- WHITE (WH) . . . . . **AZ4568**
- BLACK (BK) . . . . . **AZ4567**



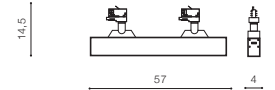
**LINNEA 57 TRACK 3 LINE 24W CCT SWITCH**

LED integrated

voltage: 230V	LED 24W 1400lm		<b>LED</b>
IP20	3000K   4000K   5000K CCT		
technical specification	installation: Track 3 Line		
	beam angle: 120°		

COLOUR / NEW INDEX NO.

- WHITE (WH) . . . . . **AZ4566**
- BLACK (BK) . . . . . **AZ4565**



\* - EXPLANATION SHORTCUT PAGE 2 (E)



# EREBUS TRACK

Track 3 Line



WH \*

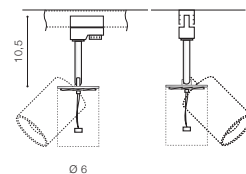
## EREBUS TRACK

bulb not included

voltage: 230V	LED GU10 1xMax 35W
IP20	
installation place: Track Electric 3 Line <input checked="" type="checkbox"/>	

COLOUR / NEW INDEX NO.

- WHITE (WH) . . . . . **AZ3390**
- BLACK (BK) . . . . . **AZ3391**

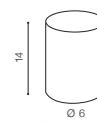


WH / GO / BK\*

## EREBUS TUBE

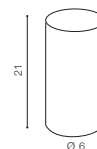
TUBE 14

- WHITE (WH) . . . . . **AZ3383**
- BLACK (BK) . . . . . **AZ3384**
- GOLD (GO) . . . . . **AZ3385**



TUBE 21

- WHITE (WH) . . . . . **AZ3386**
- BLACK (BK) . . . . . **AZ3387**
- GOLD (GO) . . . . . **AZ3388**



\* - EXPLANATION SHORTCUTS PAGE 16



WH \*

**TIVOLI TRACK 10W 3000K/4000K**

LED integrated

voltage: 230V

IP20

technical

specification



LED 10W 3000K RA $\geq$ 90 840lm

LED 10W 4000K RA $\geq$ 90 880lm

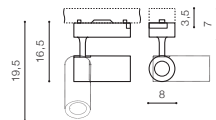
installation: Track 3 Line

beam angle: 60°



COLOUR / NEW INDEX NO.

- 3000K WHITE (WH) . . . . . **AZ2222**
- 3000K BLACK (BK) . . . . . **AZ2224**
- 4000K WHITE (WH) . . . . . **AZ2223**
- 4000K BLACK (BK) . . . . . **AZ2225**



TILT 90°

ROTATION 350°



BK

WH



# BROSS ARM TRACK

Track 3 Line



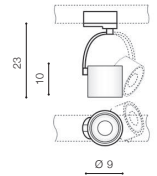
## BROSS ARM TRACK

bulb not included

voltage: 230V	LED GU10 1xMax 35W
IP20	
	installation place: Track Electric 3 Line

COLOUR / NEW INDEX NO.

- WHITE (WH) . . . . . **AZ3500**
- BLACK (BK) . . . . . **AZ3501**



## AZZARDO PATENT EU

TILT 90° ROTATION 360°



\* - EXPLANATION SHORTCUT PAGE 2 (E)



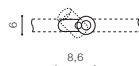
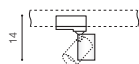
BK \*

## EXO TRACK

voltage: 230V	LED GU10 1xMax 35W	bulb not included <input checked="" type="checkbox"/>
IP20	installation place: Track Electric 3 Line	<input checked="" type="checkbox"/>

### COLOUR / NEW INDEX NO.

- BLACK (BK) . . . . . **AZ3199**
- WHITE (WH) . . . . . **AZ3200**



TILT 90°

ROTATION 360°





# LENS TRACK

Track 3 Line



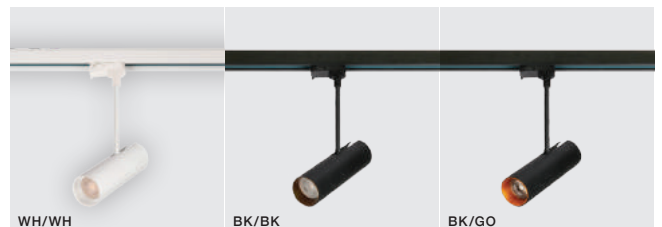
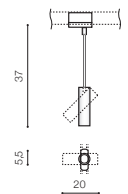
## LENS TRACK

bulb not included

voltage: 230V	LED GU10 1xMax 35W
IP20	
installation place: Track Electric 3 Line <input checked="" type="checkbox"/>	

### COLOUR / NEW INDEX NO.

- WHITE / WHITE (WH/WH) . . . . . **AZ3510**
- BLACK / BLACK (BK/BK) . . . . . **AZ3511**
- BLACK / GOLD (BK/GO) . . . . . **AZ3512**





BK \*



WH

BK

## SANTOS SQUARE TRACK

LED integrated

voltage: 230V

LED 12W 1020lm 3000K

IP20

**LED**

technical

installation: Track 3 Line

specification

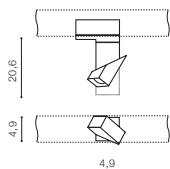
beam angle: 60°



COLOUR / NEW INDEX NO.

WHITE (WH) . . . . . **AZ3524**

BLACK (BK) . . . . . **AZ3525**



# SKYE TRACK

Track 3 Line



WH \*

## SKYE TRACK 3 LINE 3000K

LED integrated

voltage: 230V

LED 12W 1300lm 3000K

IP20



technical

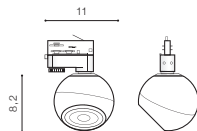
installation place: Track 3 Line

specification

beam angle: 60°

COLOUR / NEW INDEX NO.

- WHITE (WH) . . . . . **AZ4519**
- BLACK (BK) . . . . . **AZ4520**



WH

BK



\* - EXPLANATION SHORTCUT PAGE 2 (E)



**LEON 5 TRACK**

LED integrated

voltage: 230V

LED 12W 1020lm 3000K

IP20

**LED**

technical  
specification



installation place: Track Electric 3 Line

beam angle: 60°

COLOUR / NEW INDEX NO.

- WHITE (WH) . . . . . **AZ3490**
- BLACK (BK) . . . . . **AZ3491**

